

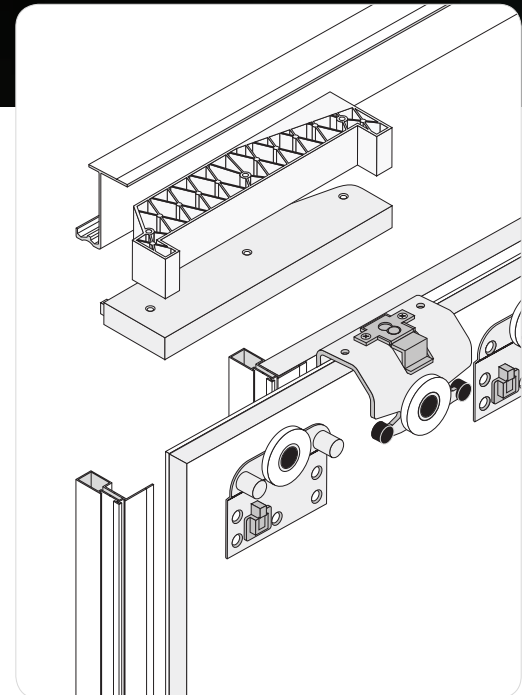
SOFT-CLOSE



OPTIMA



Soft-close for sliding doors



CHARACTERISTICS

▶ Application	Sliding doors
▶ Track	Twin
▶ Carriage system	Top
▶ Top guide	Ball bearing carriage + soft-close
▶ Bottom guide	Guiding bush
▶ Construction	Board
▶ Filling	16 and 18 mm MFC, 12 mm board + 4 mm mirror
▶ Max. door load:	40 kg
▶ Textile door stops	n/a
▶ Anti-dust brushes	n/a
▶ Sales programme	Components can be purchased separately
▶ Decorative profile programme	n/a

Soft-close for sliding doors

OPTIMA



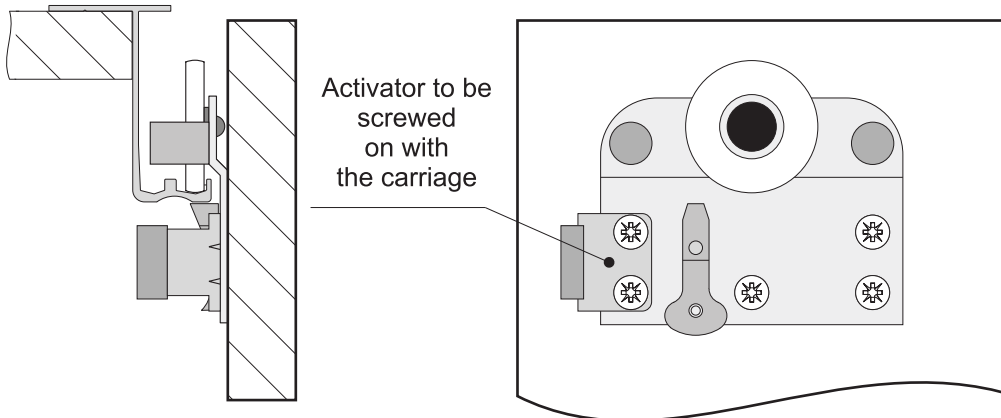
i Set includes 2 soft-closes L & R

CODE	KG	COLLECTIVE PACKAGING	PRICED PER	NET PRICE
20195	40	9	set	

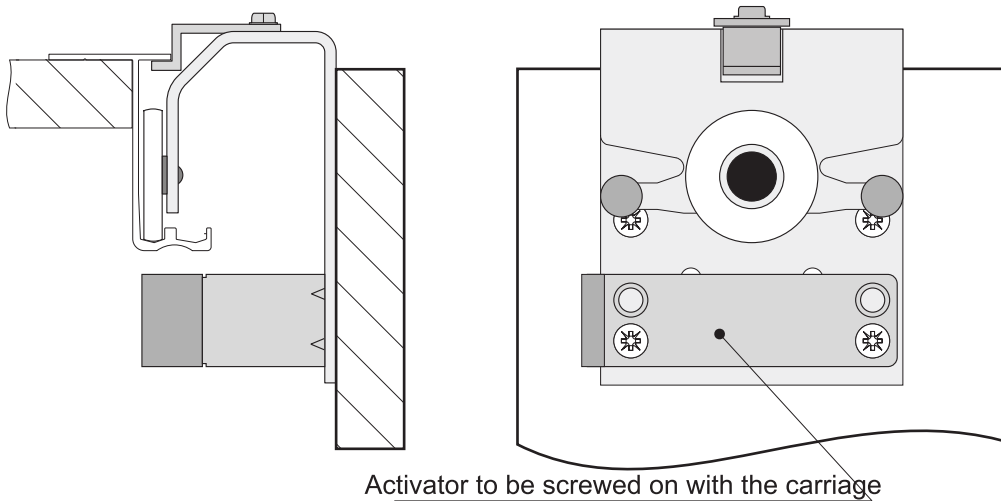
i Set components

NAME	SET QUANTITY
soft-close mechanism	2 pcs
Distancing piece	2 pcs
Soft-close activator (front door)	1 pc.
Soft-close activator (rear door)	2 pcs
Screw with countersunk head 4x70	6 pcs
Screw Euro 6x17	4 pcs

Fastening of the soft-close activator to the rear door



Fastening of the soft-close activator to the front door



Fastening of the soft-close activator with two door system		Fastening of the soft-close activator with three door system (to the rear door only)		
<i>rear door</i>	<i>front door</i>	<i>rear door</i>	<i>front door</i>	<i>rear door</i>
short activator	long activator	short activator	long activator	long activator

