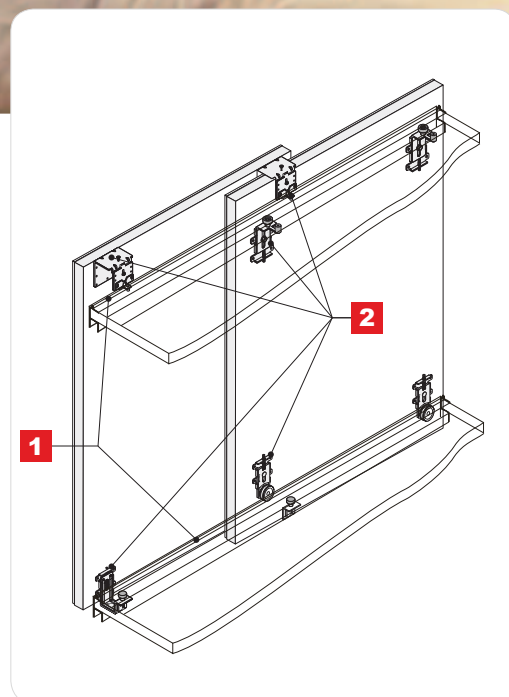
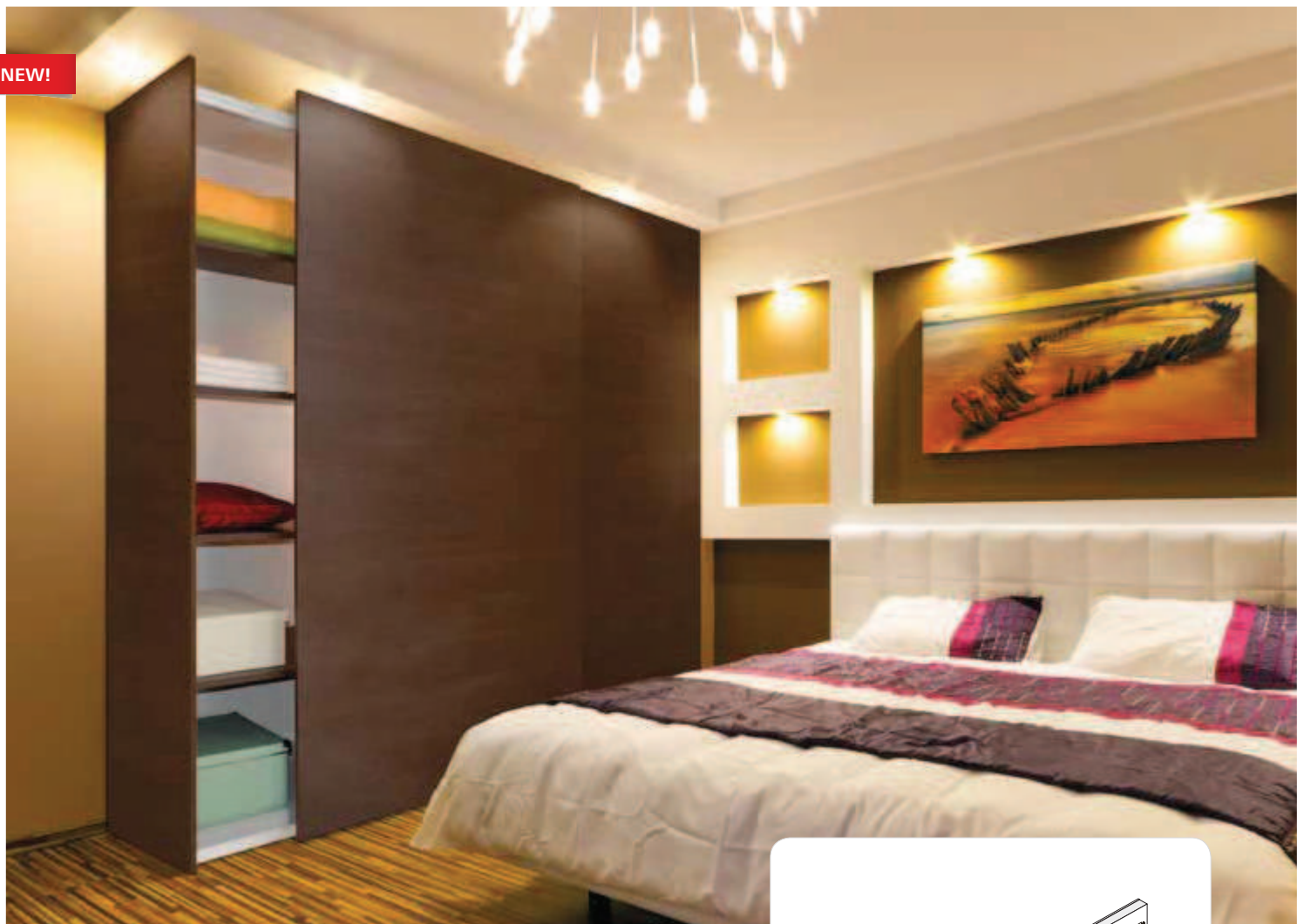




System for sliding doors with hidden tracks

NEW!



CHARACTERISTICS

▶ Application	Sliding doors
▶ Track	Single
▶ Carriage system	Mixed
▶ Top guide	Ball bearing carriage
▶ Bottom guide	Guide
▶ Construction	Board
▶ Filling	Board 16-22 mm
▶ Max. door load	50 kg
▶ Max. handle length	n/a
▶ Max. track length	6000 mm
▶ Textile door stops	n/a
▶ Anti-dust brushes	n/a
▶ Sales programme	Components can be purchased separately
▶ Decorative profile programme	DECOR

USAGE

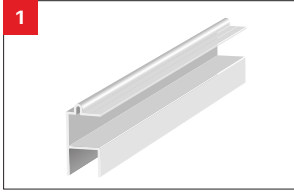
- ▶ Free standing furniture



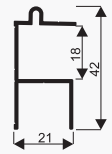
Basic system components

Track **IDEA**

1

**DECOR**

CODE	COLOUR	LENGTH (mm)	COLLECTIVE PACKAGING	PRICED PER	NET PRICE
04190	SILVER	2000	24	item	
04097	SILVER	3000	24	item	
04191	SILVER	6000	24	item	

Set **IDEA**

2



SET CODE			10194-SV	10195-SV
DESCRIPTION	COLLECTIVE PACKAGING	PRICED PER	for 2 wings (inner + outer)	for 1 wing (wewnętrzne)
Top carriage for outer doors	12 sets	set	2 pcs	–
Bottom guide for outer doors			2 pcs	–
Bottom carriage for inner doors			2 pcs	2 pcs
Top guide for inner doors			2 pcs	2 pcs
Activator with steel barrel (for stopper)			2 pcs	–
Stopper			4 pcs	–
Stopper for dividing doors			1 pc.	1 pc.
Soft-close activator			2 pcs	–
Screw 4x16			38 pcs	16 pcs
Self-tapping screw 3.9x13			38 pcs	16 pcs
Screw 3.5x30			8 pcs	1 pc.
Screw M4x6			4 pcs	–
Screw 3.5x16	–	1 pc.		
Assembly instructions	1 copy	1 copy		
NET PRICE				

Soft-close **SEVROMATIC**
MINI SV-25, SV-40 & SV-60

i Set includes 2 soft-closers and includes activators + screws

CODE	WEIGHT LIMIT	TYPE	COLLECTIVE PACKAGING	PRICED PER	NET PRICE
20368-SV	25 kg	UNIVERSAL	24	set	
20258-SV	40 kg	UNIVERSAL	24	set	
20339-SV	60 kg	UNIVERSAL	24	set	

**Individual soft-closers**

Additionally, you must order a set of activators code 20265-SV.
Soft-close MINI fits left and right sides

20359-SV	25 kg	UNIVERSAL	100	item	
20260-SV	40 kg	UNIVERSAL	100	item	
20336-SV	60 kg	UNIVERSAL	100	item	

Soft-Close **SEVROMATIC**
CENTRAL SV-25 i SV-40

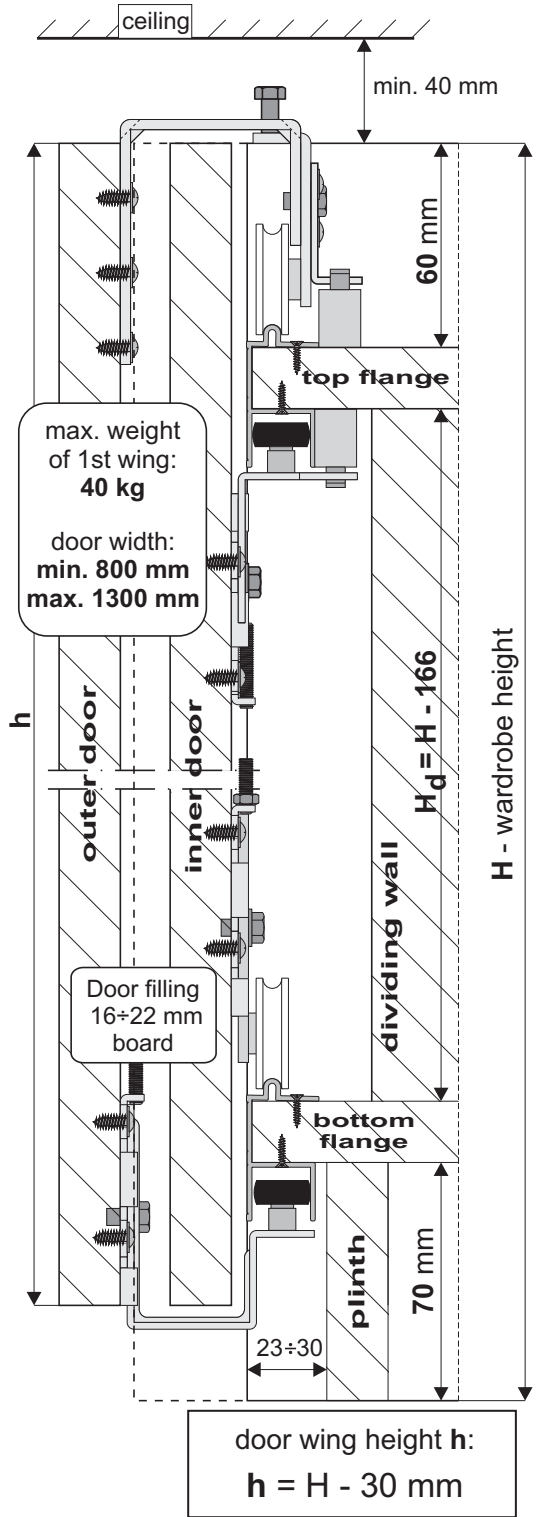
i Set includes 1 soft-close and includes activators + screws.

CODE	WEIGHT LIMIT	TYPE	COLLECTIVE PACKAGING	PRICED PER	NET PRICE
20363-SV	25 kg	CENTRAL	24	set	
20319-SV	40 kg	CENTRAL	24	set	

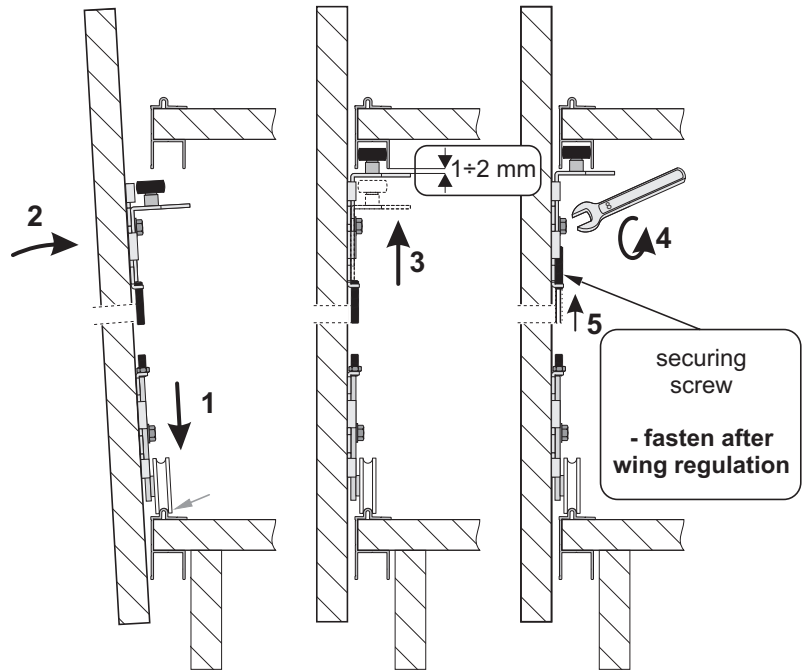
Soft-close activator
„10” & „18” MINI / „10” TOP

i Set includes 3 activators of different heights to choose from and a set of screws

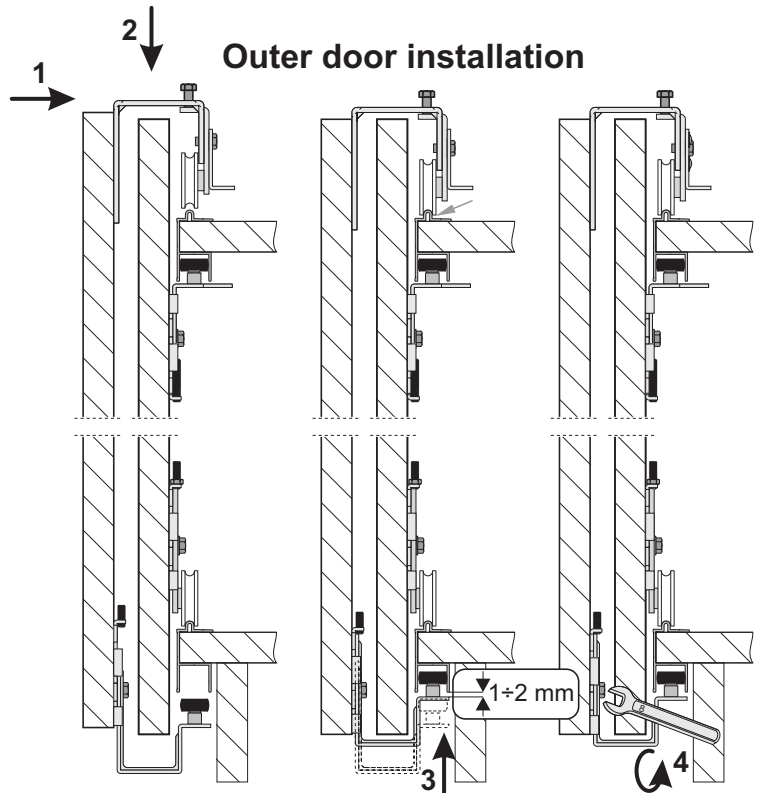
CODE	COLOUR	COLLECTIVE PACKAGING	PRICED PER	NET PRICE
20265-SV	GREY	24	set	



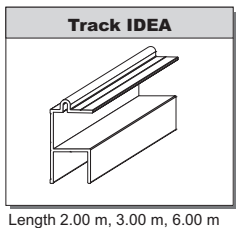
Inner door installation



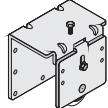
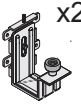

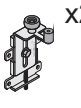

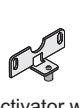
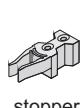



Outer door installation



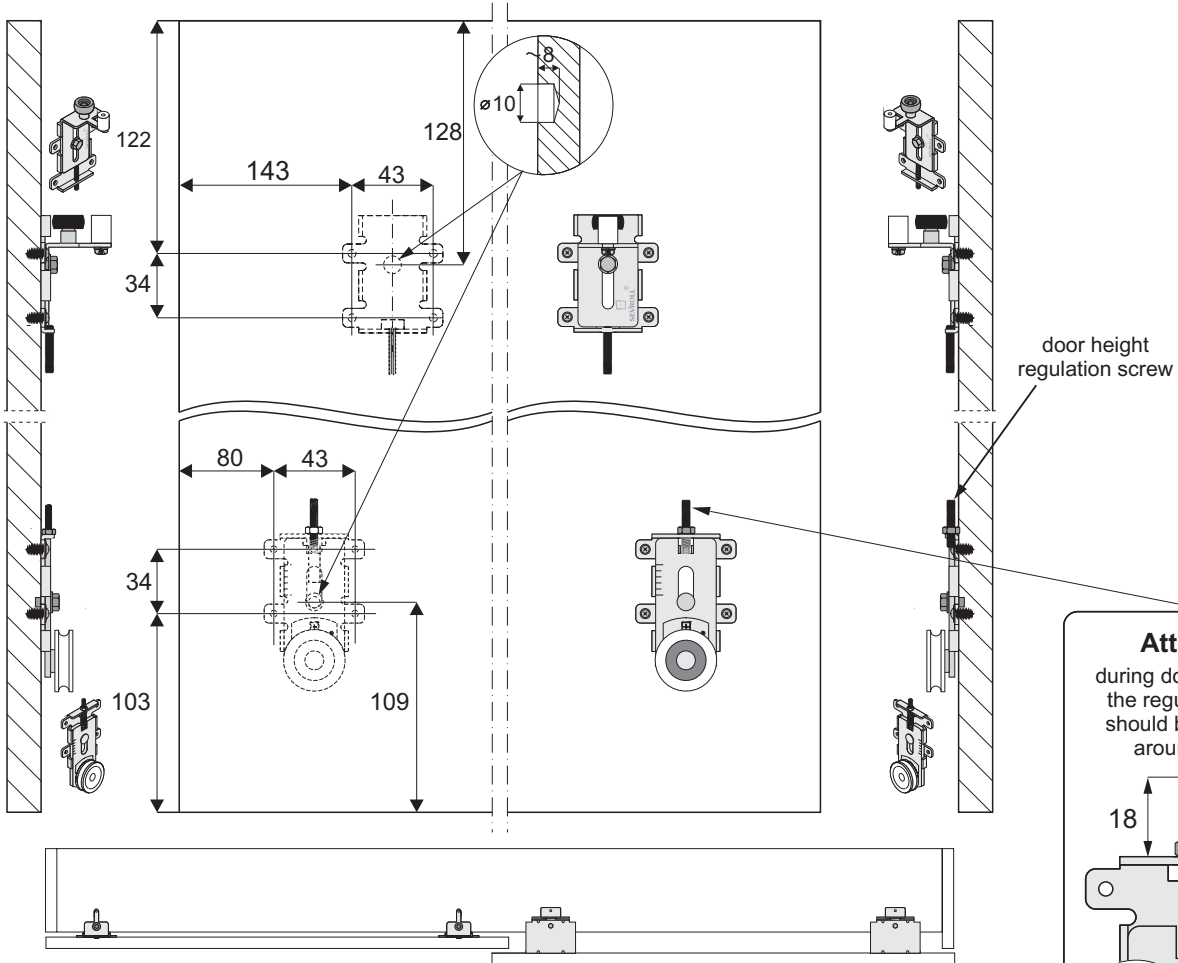
COMPONENTS



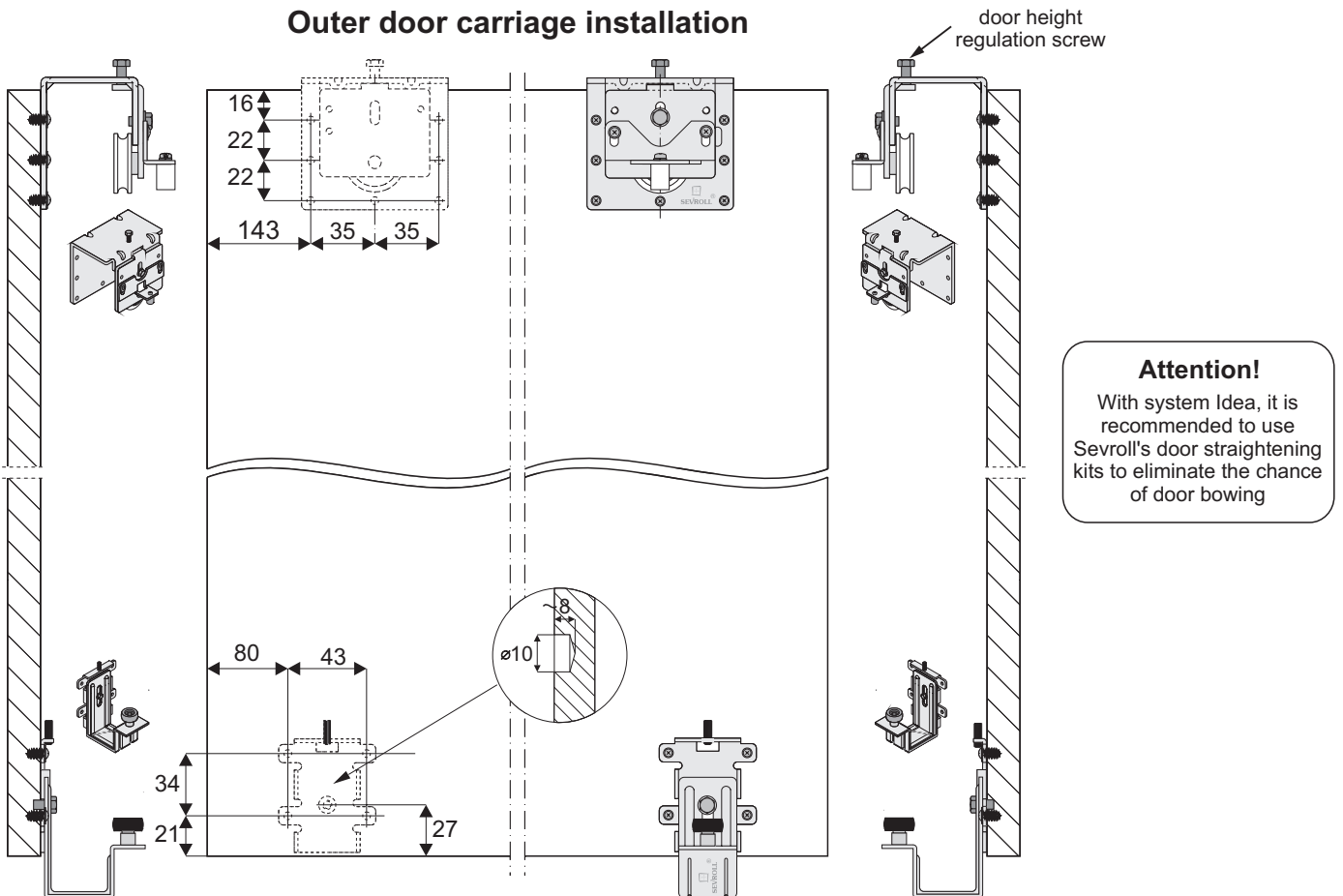
Set for sliding door IDEA - 2 doors

 x2	 x2	 x2	 x2	 x2	 x2	 x4
Top carriage for outer doors	bottom guide for outer doors	bottom carriage for inner doors	top guide for inner doors	soft-close activator	Activator with steel barrel (for stopper)	stopper
screw 4 x 16		- x 38 pcs				
screw 3.5 x 30		- x 8 pcs				
screw M4 x 6		- x 4 pcs				

Inner door carriage installation

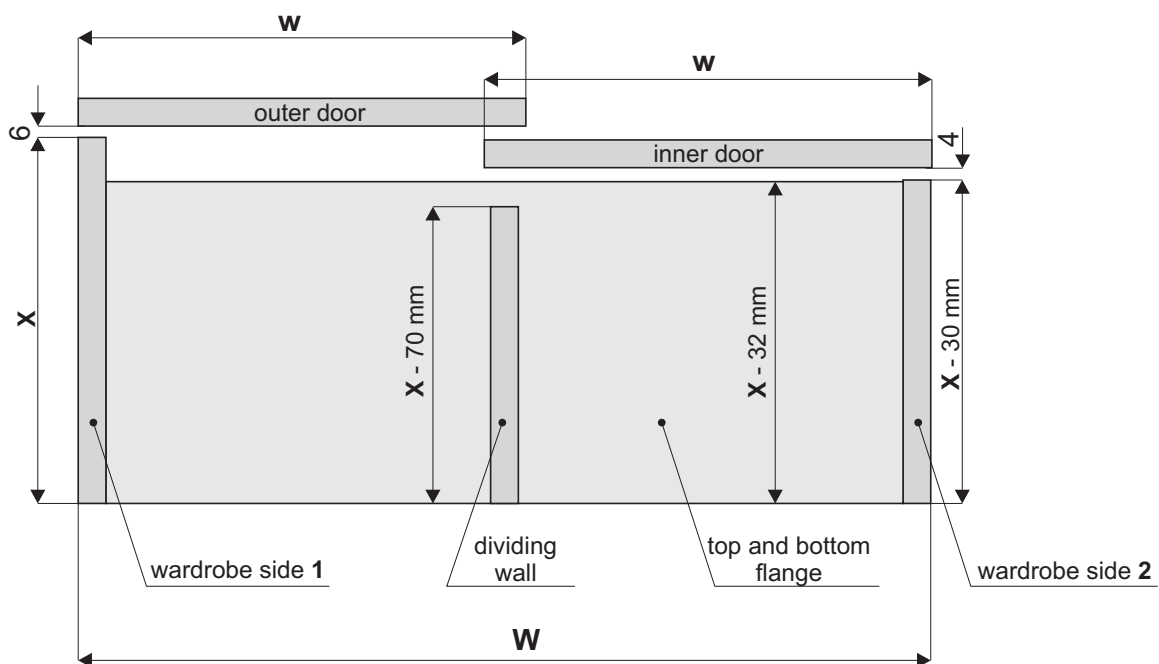


Outer door carriage installation



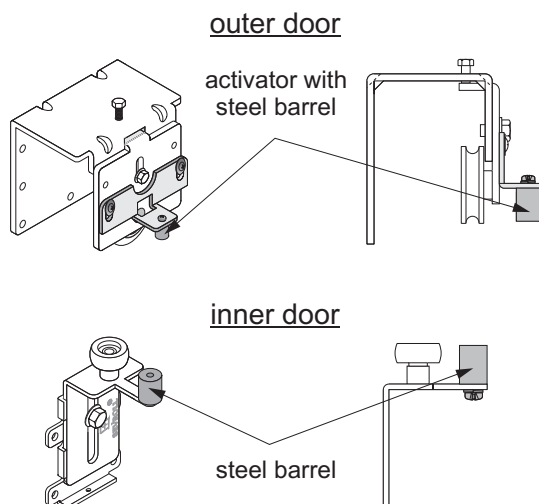
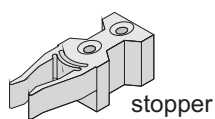
Board width calculations for wardrobe elements (all dimensions include edging)

$$w = W : 2 + 20 \text{ mm}$$



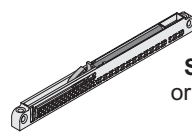
door positioning when using **STOPPERS**

- use activator **with steel barrel**

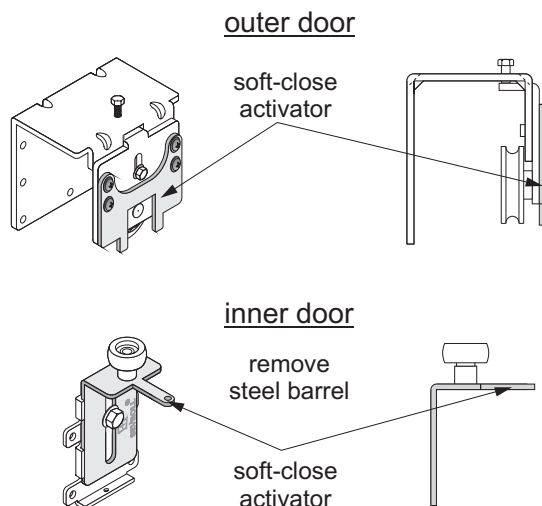


door positioning when using **SOFT-CLOSE**

- use activator **without steel barrel**

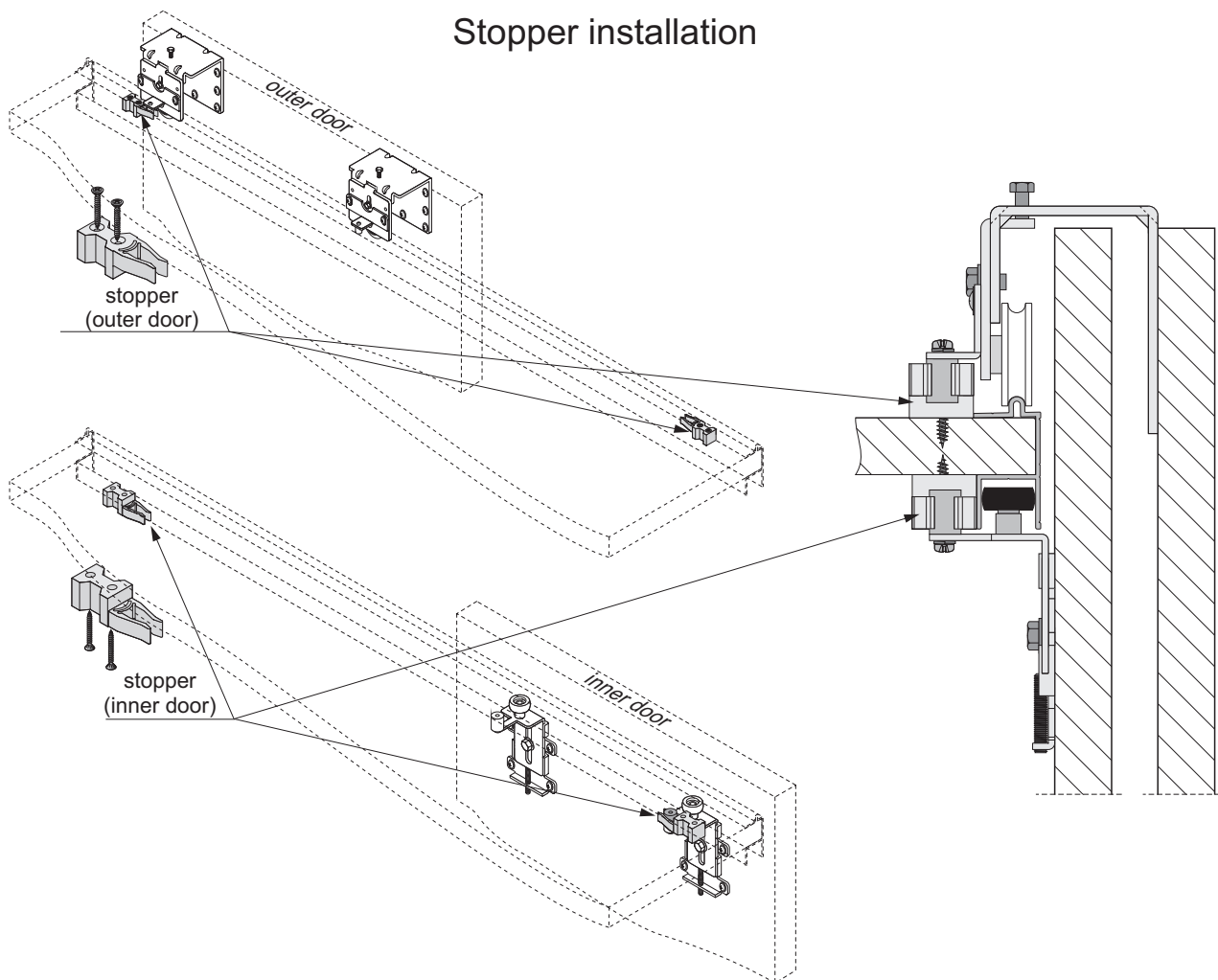


soft-close
SV25 MINI (index: 20359-SV)
or SV40 MINI (index: 20260-SV)

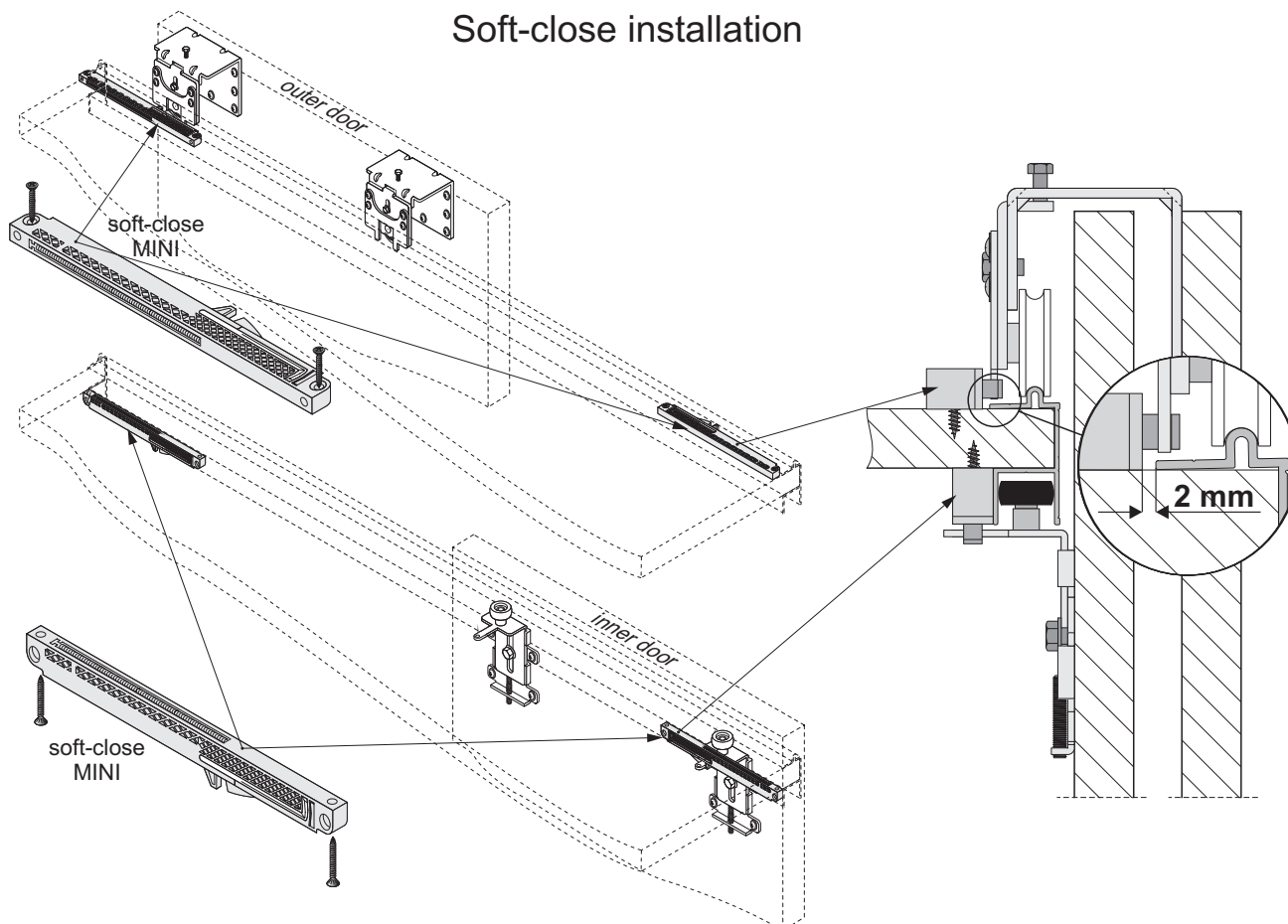


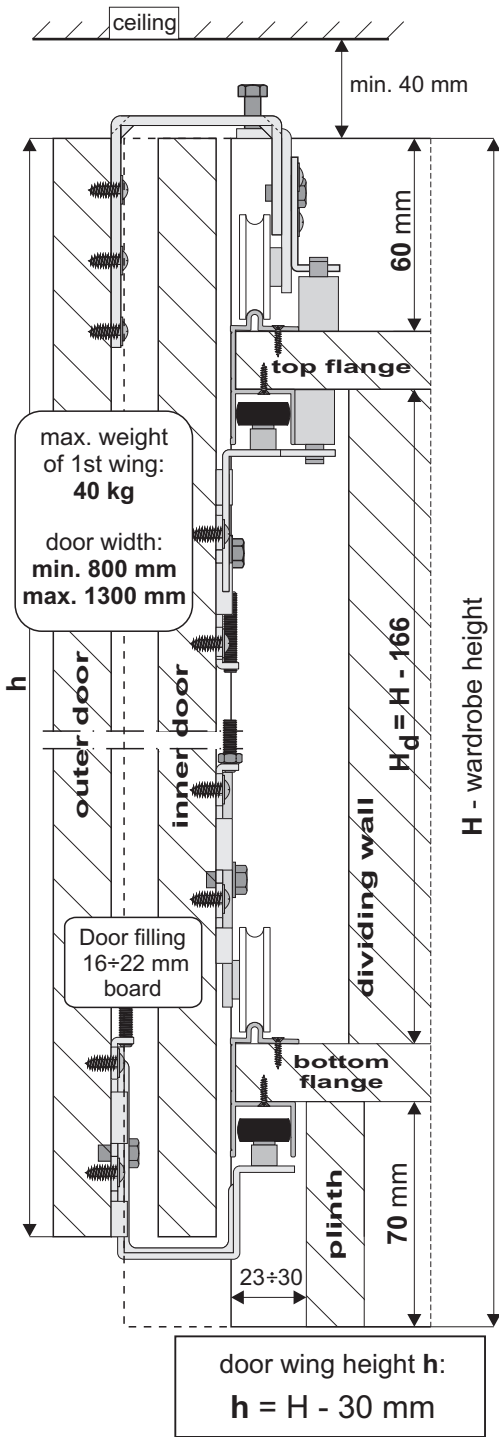


Stopper installation

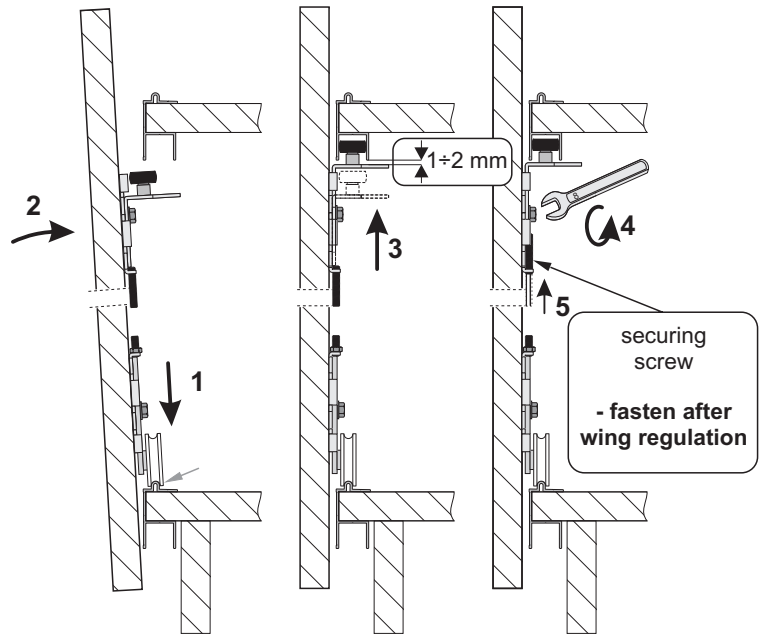


Soft-close installation

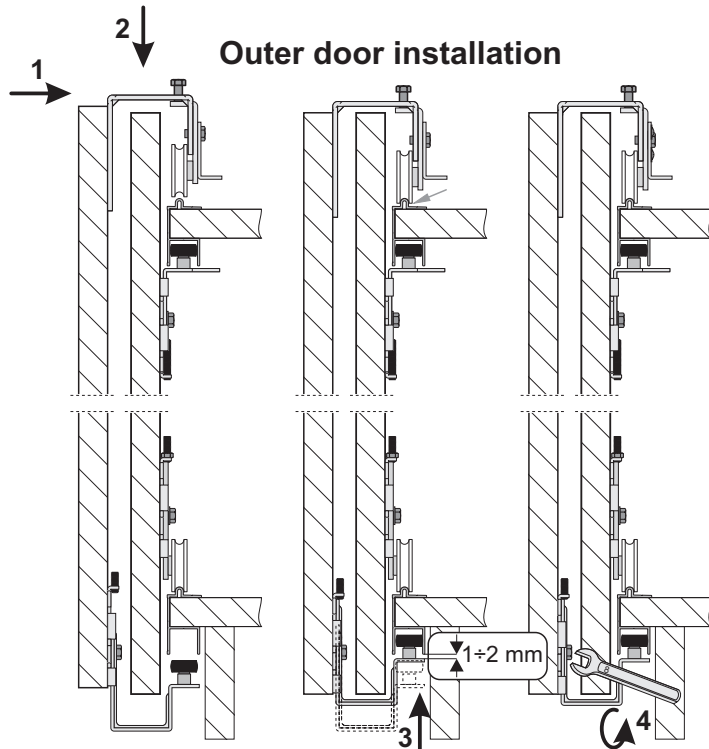




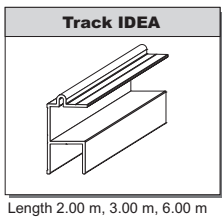
Inner door installation

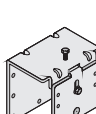

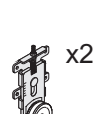


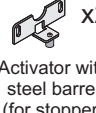






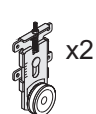
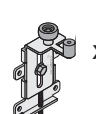
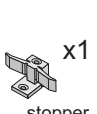



Outer door installation



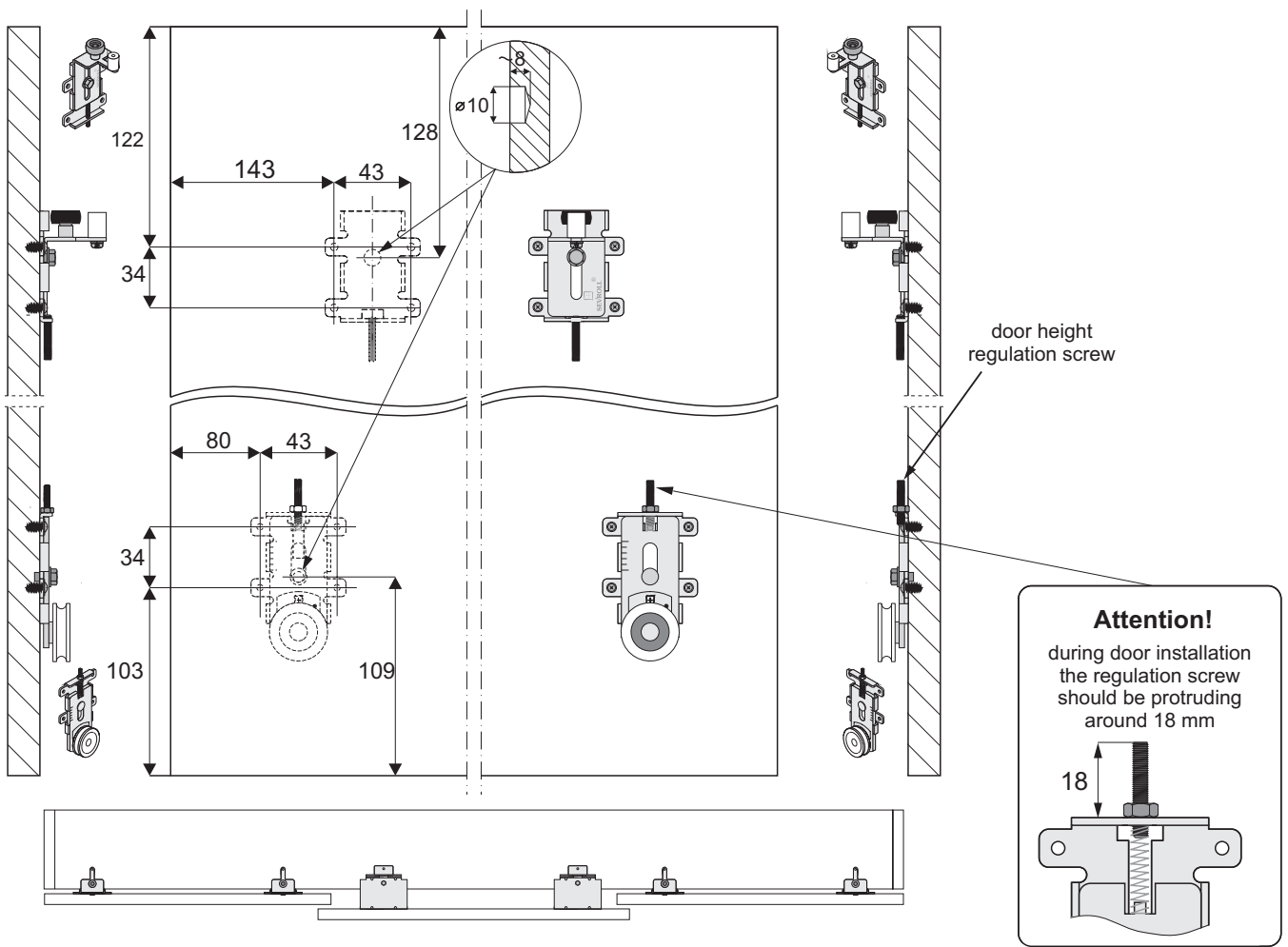
COMPONENTS



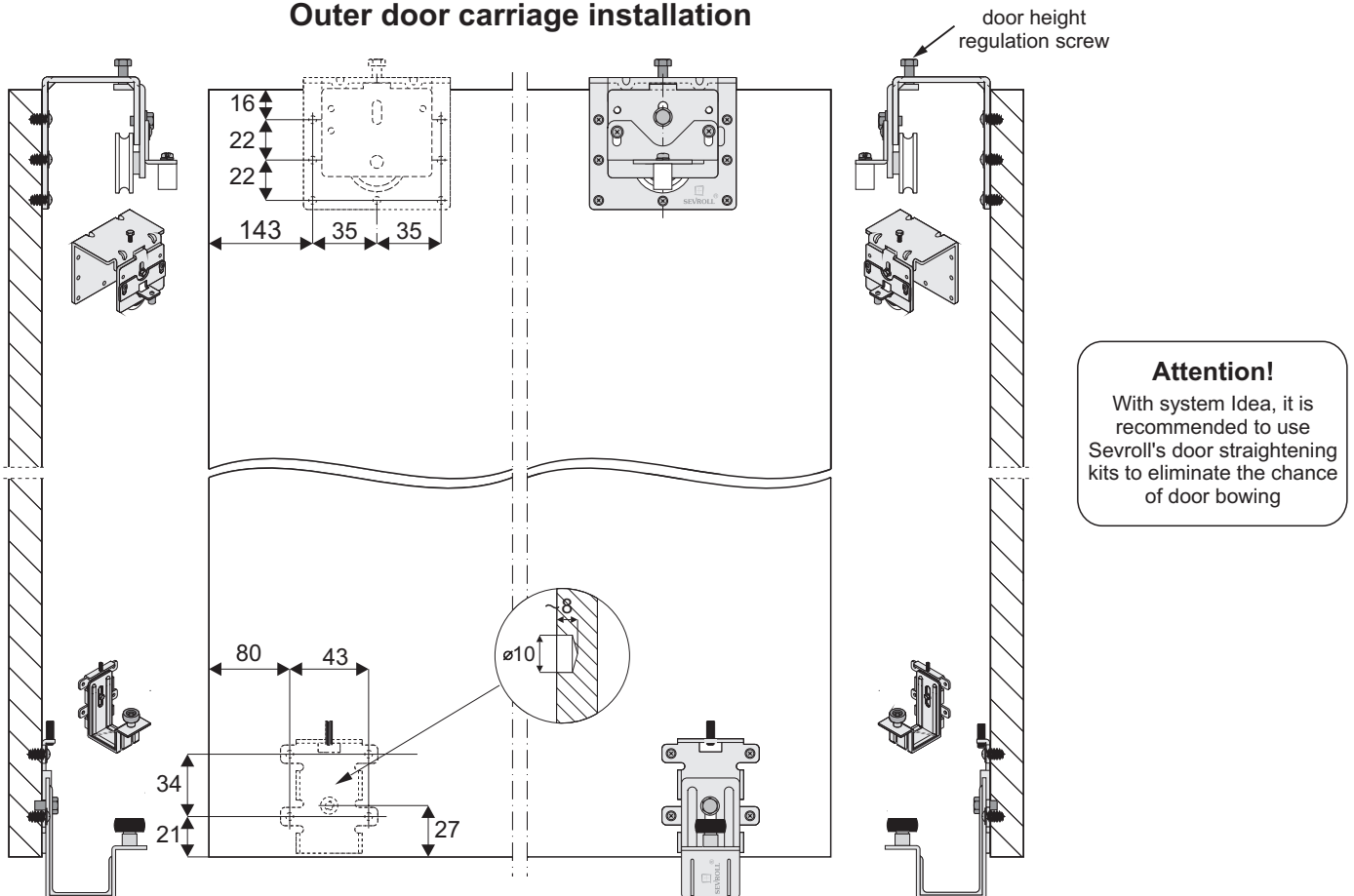
Set for sliding door IDEA - 2 doors			
 x2	 x2	 x2	 x2
 x2	 x2	 x4	
screw 4 x 16	- x 38 pcs		
screw 3.5 x 30	- x 8 pcs		
screw M4 x 6	- x 4 pcs		

Set for sliding door IDEA - 1 inner door			
 x2	 x2	 x1	
 x2	 x1	 x1	

Inner door carriage installation

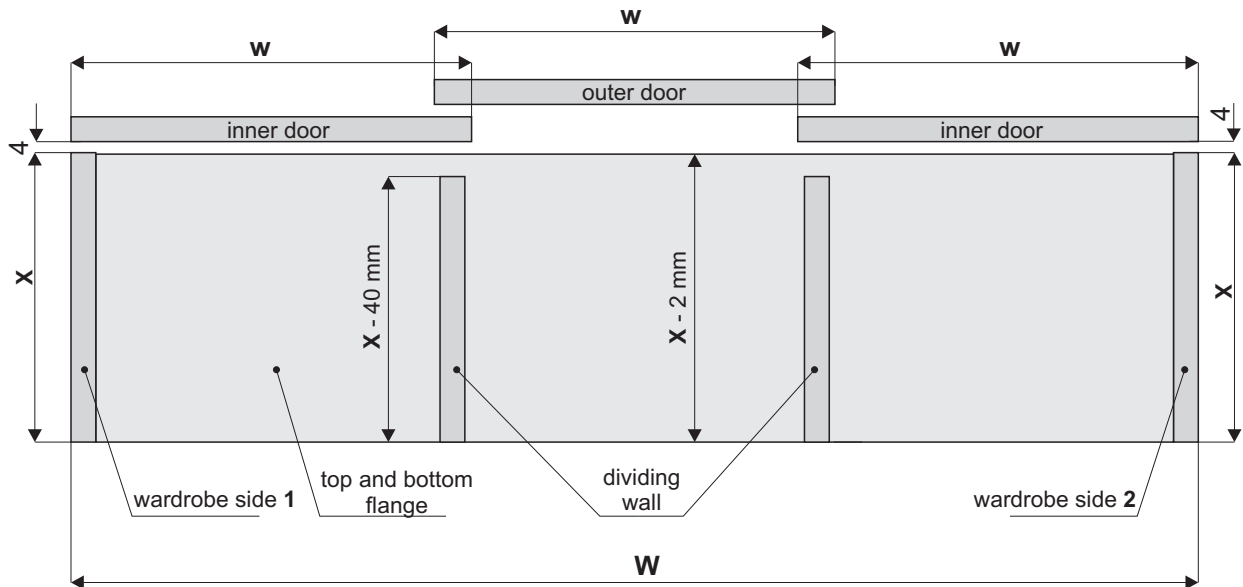


Outer door carriage installation



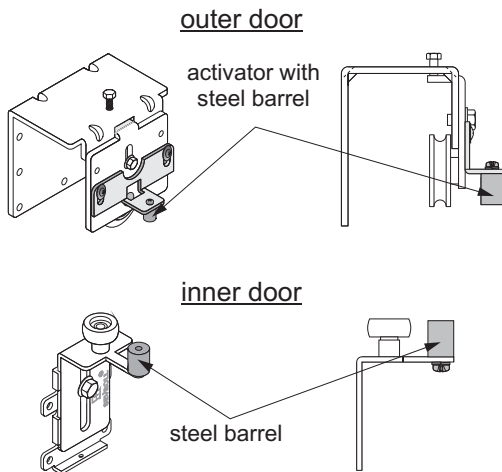
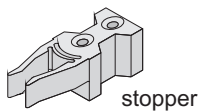
Board width calculations for wardrobe elements (all dimensions include edging)

$$w = W : 3 + 20 \text{ mm}$$



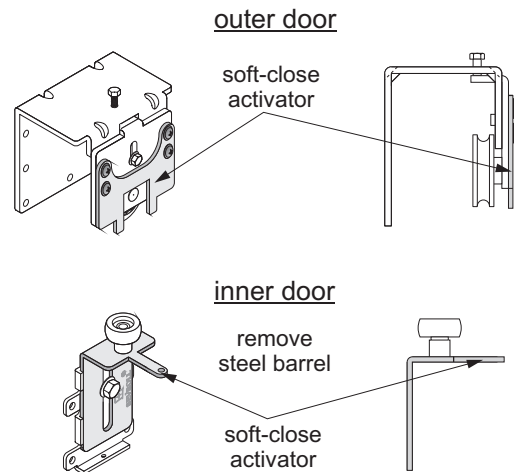
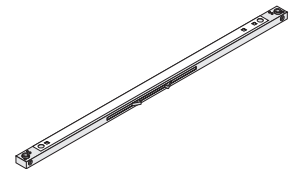
door positioning when using **STOPPERS**

- use activator **with steel barrel**



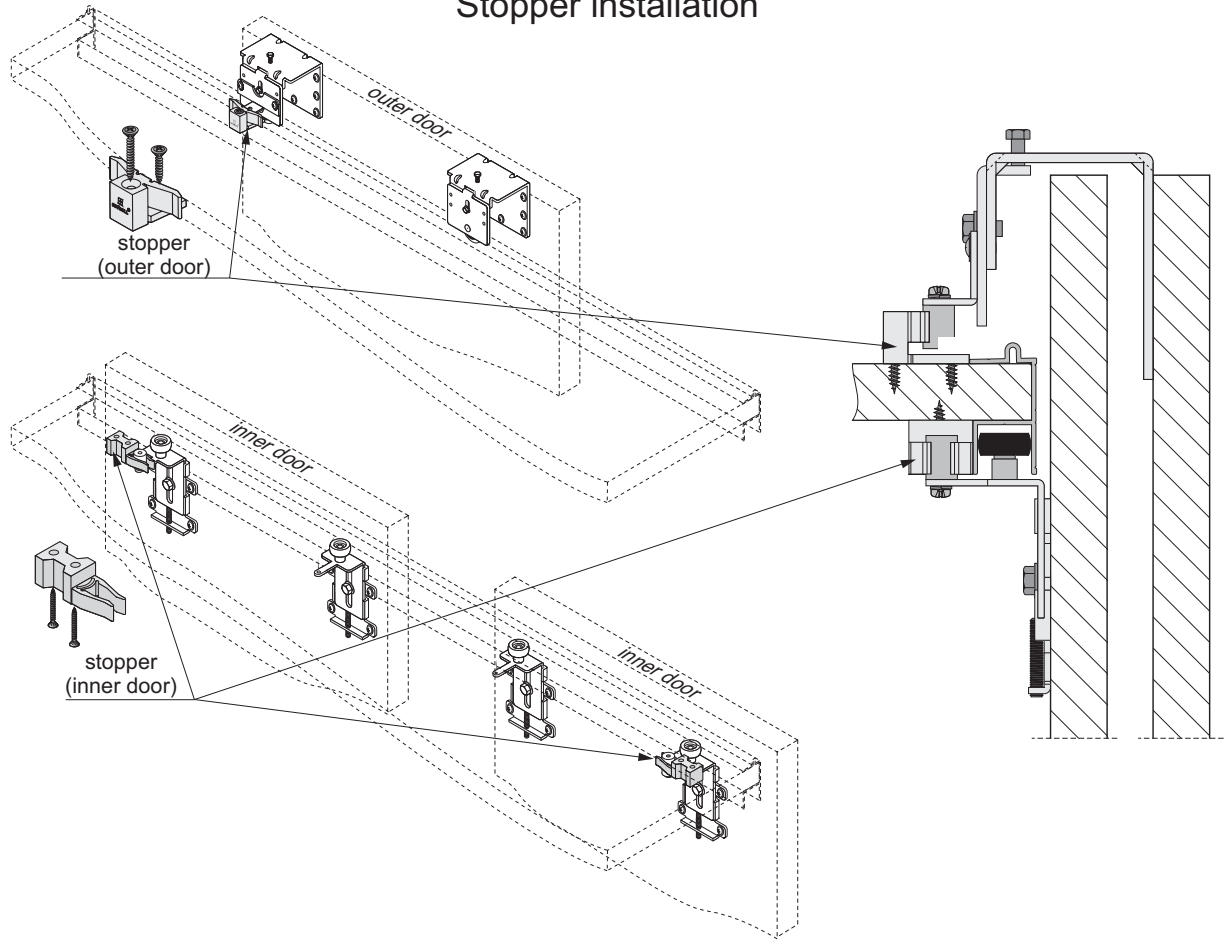
door positioning when using **SOFT-CLOSE**

- use activator **without steel barrel**





Stopper installation



Soft-close installation

