

SOFT-CLOSE

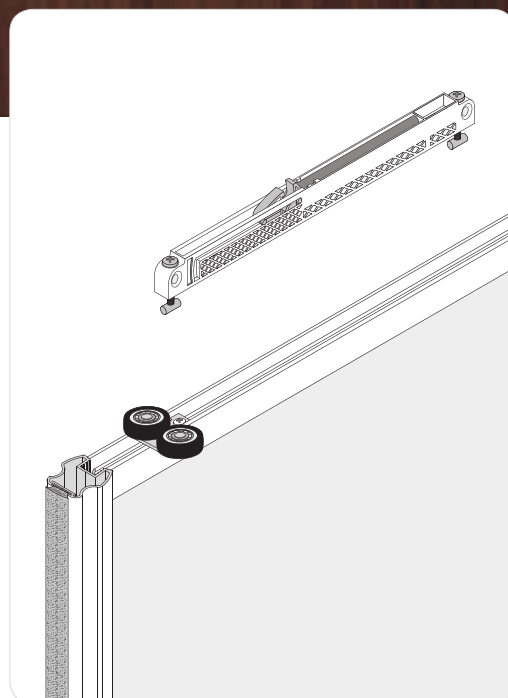


SEVROMATIC

MINI SV-25, SV-40 & SV-60



Soft-close for sliding doors



CHARACTERISTICS	
▶ Application	Sliding doors
▶ Track	Single and Twin
▶ Carriage system	Bottom
▶ Top guide	Ball bearing carriage
▶ Bottom guide	Carriage WD 10V, WD 10C
▶ Construction	Frame and board
▶ Filling	Board 10 mm, 16 mm, 18 mm, glass 4.5-6 mm, mirror 4 mm
▶ Max. door load:	40 kg & 60 kg
▶ Max. handle length	n/a
▶ Textile door stops	n/a
▶ Anti-dust brushes	n/a
▶ Sales programme	Components can be purchased separately
▶ Decorative profile programme	n/a



Soft-close for sliding doors
SEVROMATIC MINI
SV-25, SV-40 & SV-60

SET



i Set includes 2 items

CODE	WEIGHT LIMIT	COLLECTIVE PACKAGING	PRICED PER	NET PRICE
20368-SV	25	24	set	
20258-SV	40	24	set	
20339-SV	60	24	set	



i Set components

NAME	SET QUANTITY
soft-close mechanism	2 pcs
soft-close activator (different sizes)	2 sets of 3 pieces
fastening pin	4 pcs
screw M3x20	4 pcs
screw 3x16	2 pcs
screw 3.5x40	4 pcs
assembly instructions	1 copy

Soft-close for sliding doors
SEVROMATIC MINI
SV-25, SV-40 & SV-60



i Use soft-close activators with the product code 20265

CODE	WEIGHT LIMIT	COLLECTIVE PACKAGING	PRICED PER	NET PRICE
20359-SV	25	100	item	
20260-SV	40	100	item	
20336-SV	60	100	item	





GEMINI 4, GEMINI 10, COMFORT 10, SINGLE 10, TOP 10

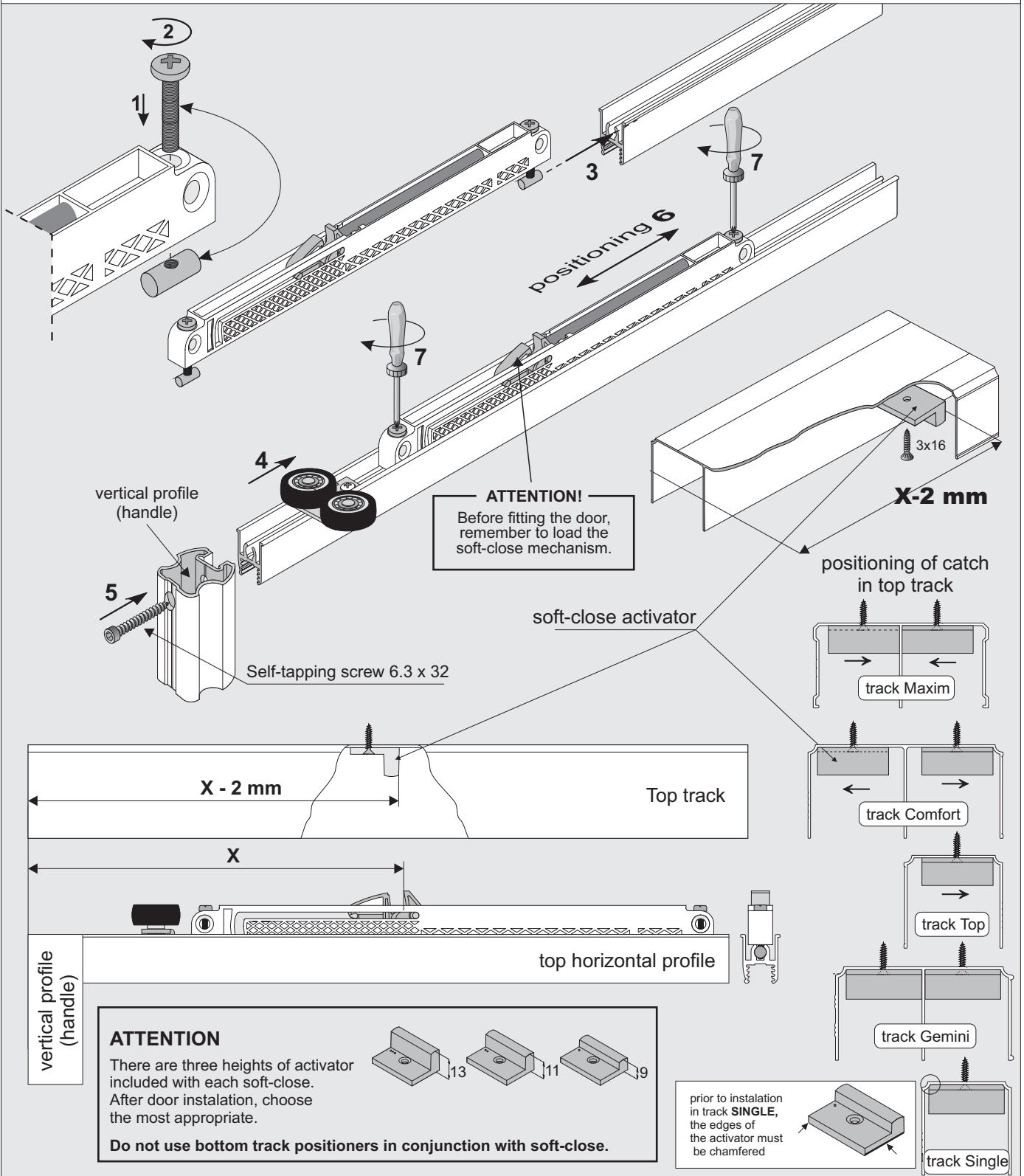
door height

$h = H - 40 \text{ mm}$

MAXIM 18 Frame, TOP 18

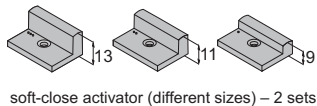
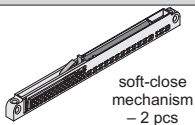
door height

$h = H - 38 \text{ mm}$



COMPONENTS

Soft-close set for sliding doors **Sevromatic MINI SV-25 (25 kg), SV-40 (40 kg) and SV-60 (60 kg)**



- fastening pin – 4 pcs
- screws M3x20 – 4 pcs
- screws 3x16 – 2 pcs

- screws 3.5x40 – 4 pcs



GEMINI 18, COMFORT 18,

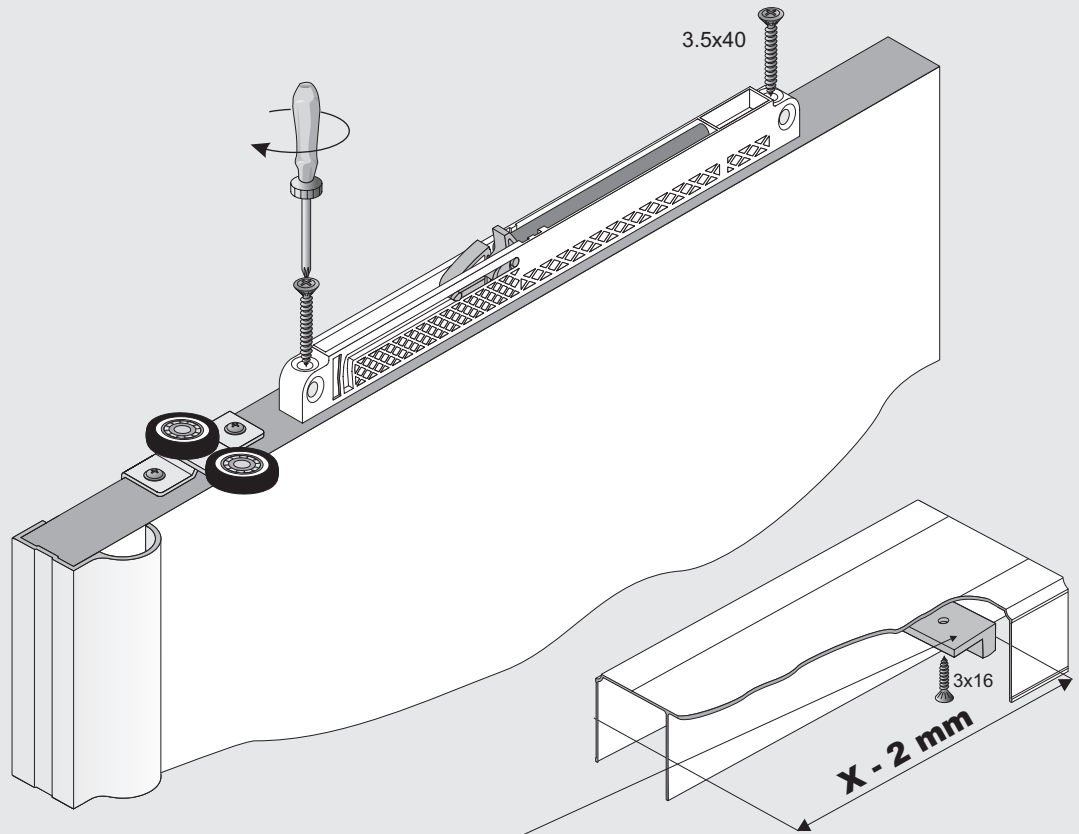
door height

$h = H - 42 \text{ mm}$

MAXIM 18 Board

door height

$h = H - 40 \text{ mm}$



Soft-close activator

