

SOFT-CLOSE

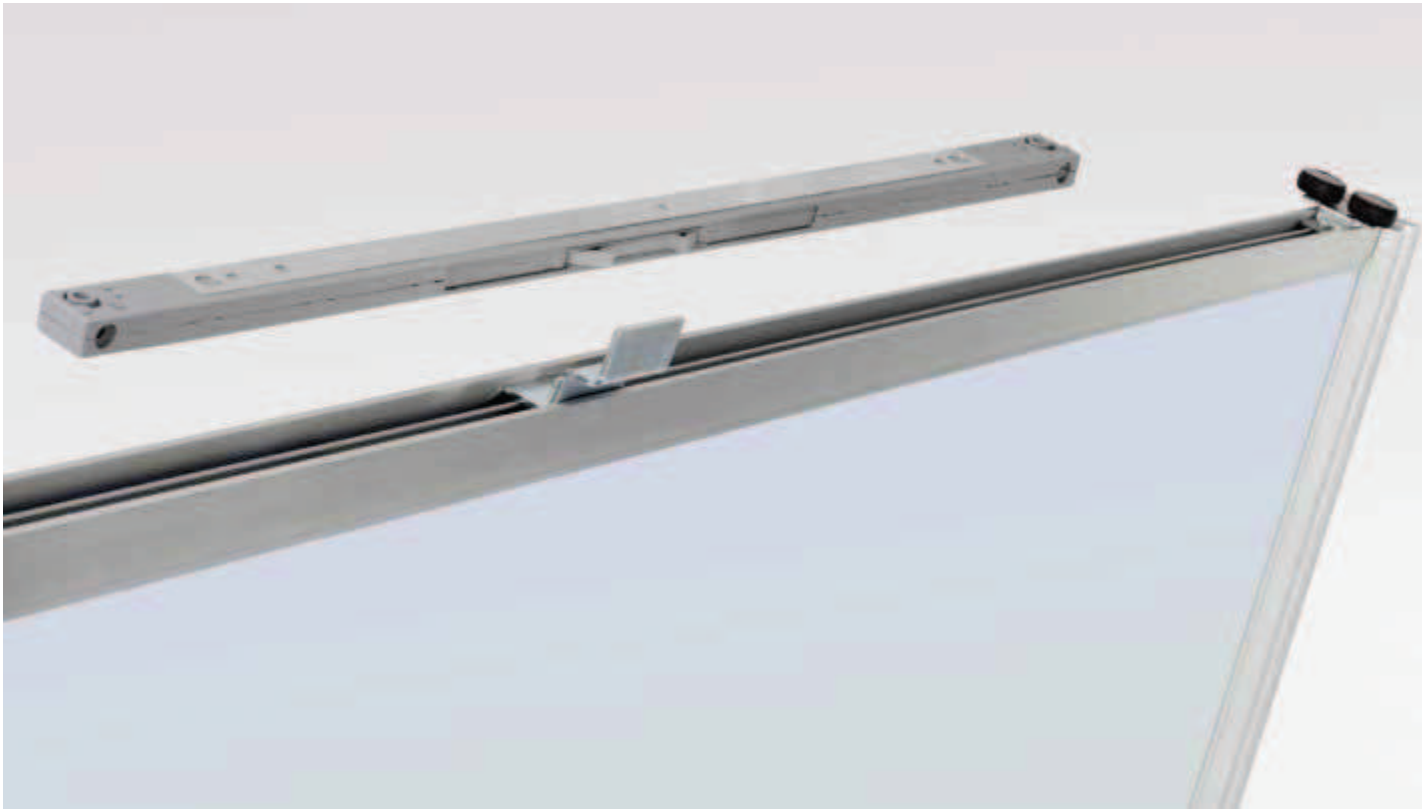


SEVROMATIC

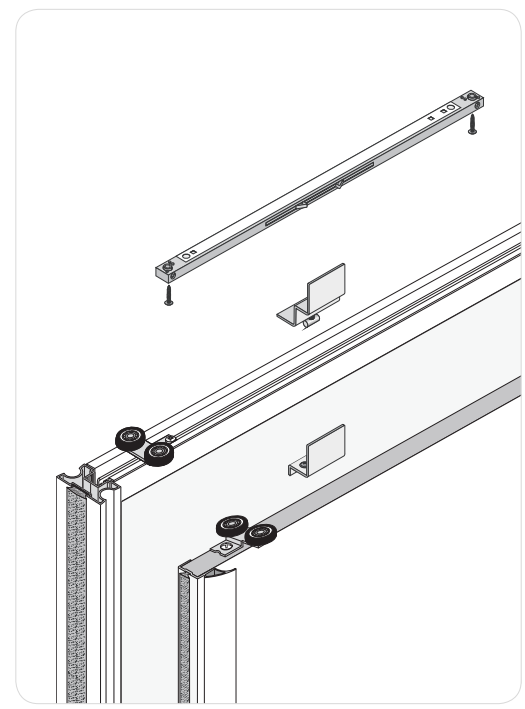
# CENTRAL SV-25 & SV-40



Soft-close for sliding doors



CHARACTERISTICS	
▶ Application	Sliding doors
▶ Track	Single and Twin
▶ Carriage system	Bottom
▶ Top guide	Ball bearing carriage
▶ Bottom guide	Carriage WD 10V, WD 10C
▶ Construction	Frame and board
▶ Filling	Board 10 mm, 16 mm, 18 mm, glass 4.5-6 mm, mirror 4 mm
▶ Max. door load:	40 kg
▶ Max. handle length	n/a
▶ Textile door stops	n/a
▶ Anti-dust brushes	n/a
▶ Sales programme	n/a
▶ Decorative profile programme	n/a





Soft-close for sliding doors  
**SEVROMATIC CENTRAL  
SV-25 & SV-40**



CODE	WEIGHT LIMIT	COLLECTIVE PACKAGING	PRICED PER	NET PRICE
20363-SV	25	24	set	
20319-SV	40	24	set	

**i** Set components

NAME	SET QUANTITY
soft-close mechanism	1 pc.
activator 10 CENTRAL	1 pc.
activator 18 CENTRAL	1 pc.
fastening pin	1 pc.
screw M3x8	1 pc.
screw 3.5x25	4 pcs
spring washer	1 pc.
assembly instructions	1 copy





**Assembly of soft-close mechanism with systems  
GEMINI 4, GEMINI 10, COMFORT 10, MAXIM 18 Frame**

**GEMINI 4, GEMINI 10, COMFORT 10**

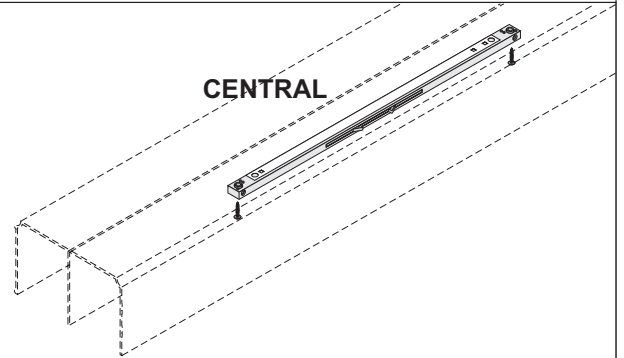
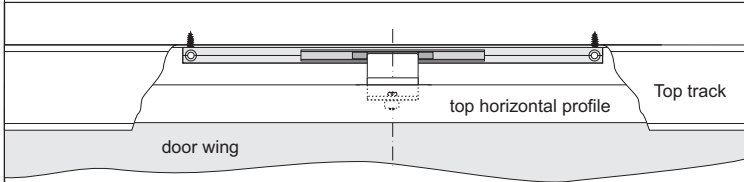
**board height**

**$h = H - 44 \text{ mm}$**

**MAXIM 18 Frame**

**board height**

**$h = H - 40 \text{ mm}$**

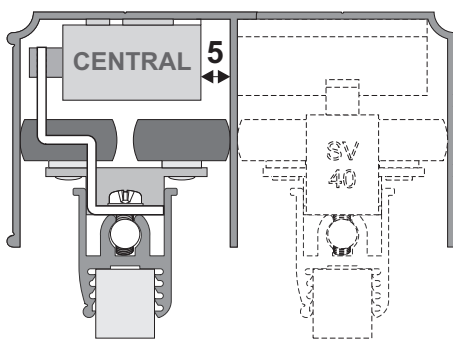


**ATTENTION**

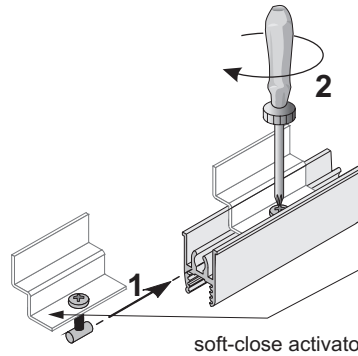
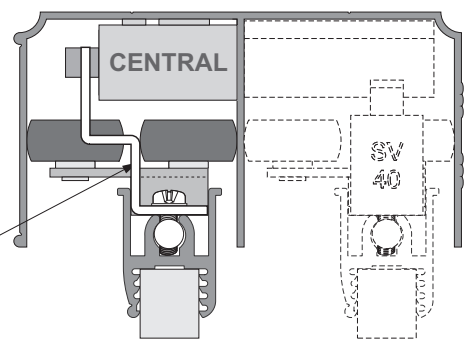
Before fitting the door,  
remember to load the  
soft-close mechanism.

**System GEMINI 4, GEMINI 10**

symmetric guide



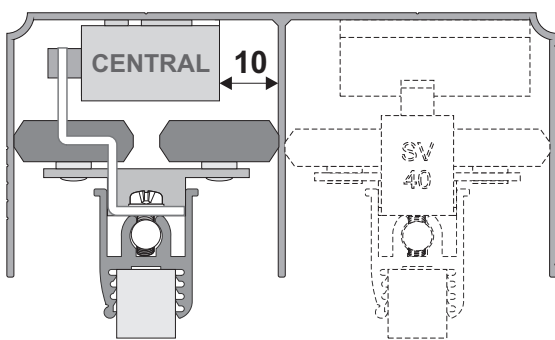
asymmetric guide



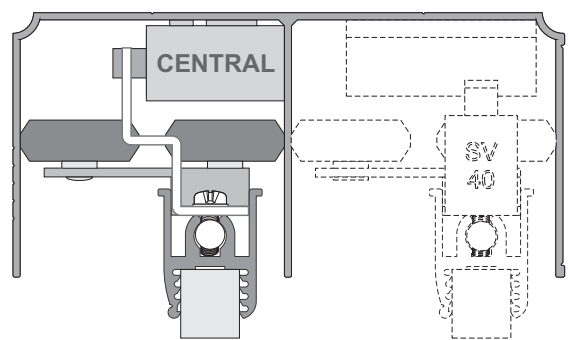
soft-close activator

**System COMFORT 10**

symmetric guide

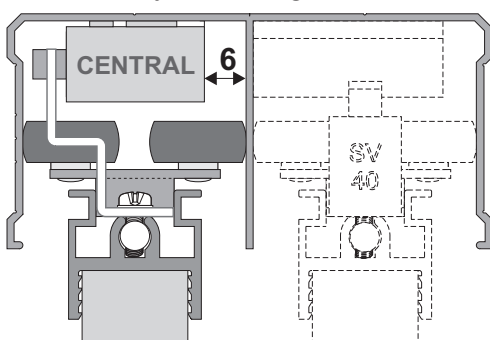


asymmetric guide

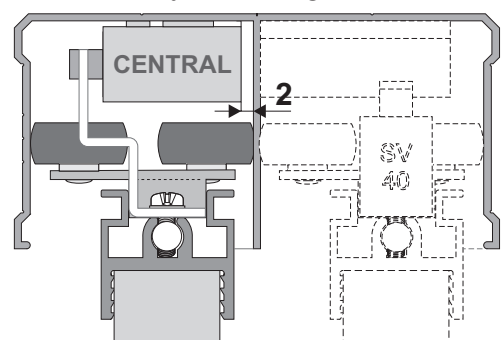


**System MAXIM 18 Frame**

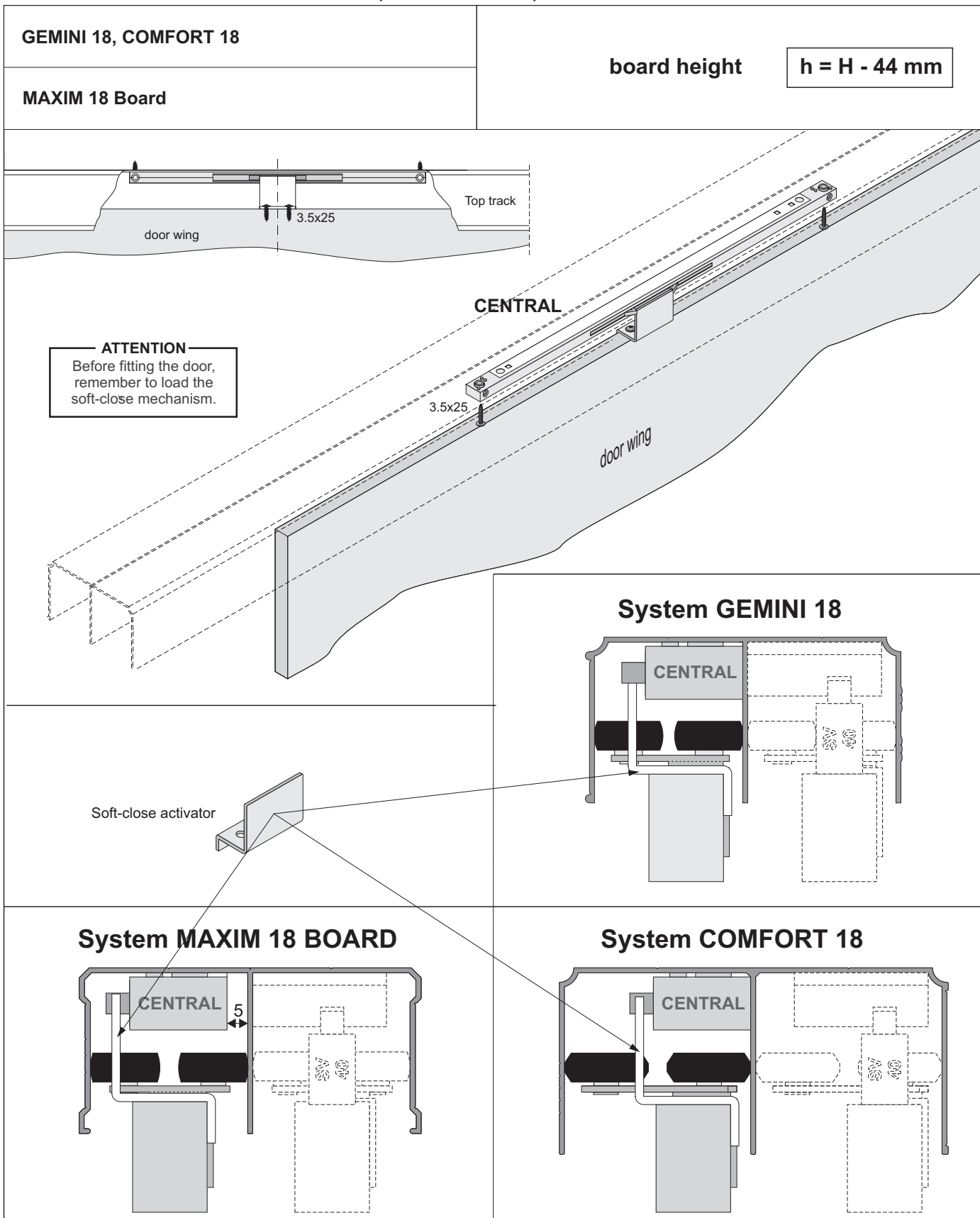
symmetric guide



asymmetric guide



**Assembly of soft-close mechanism with systems  
GEMINI 18, COMFORT 18, MAXIM 18 Board**



**COMPONENTS**

Soft-close set for sliding doors Sevromatic CENTRAL SV-25 (25 kg) or SV-40 (40 kg)

 Soft-close mechanism - 1 pc.	 1 pc. activator 10 CENTRAL	<p>fastening pin - 1 pc. </p> <p>screw M3x8 - 1 pc. </p> <p>spring washer 3 - 1 pc. </p>	<p>1 pc. </p> <p>activator 18 CENTRAL</p> <p>screw 3.5x25 - 4 pcs </p>
-------------------------------------	--------------------------------------	--	--